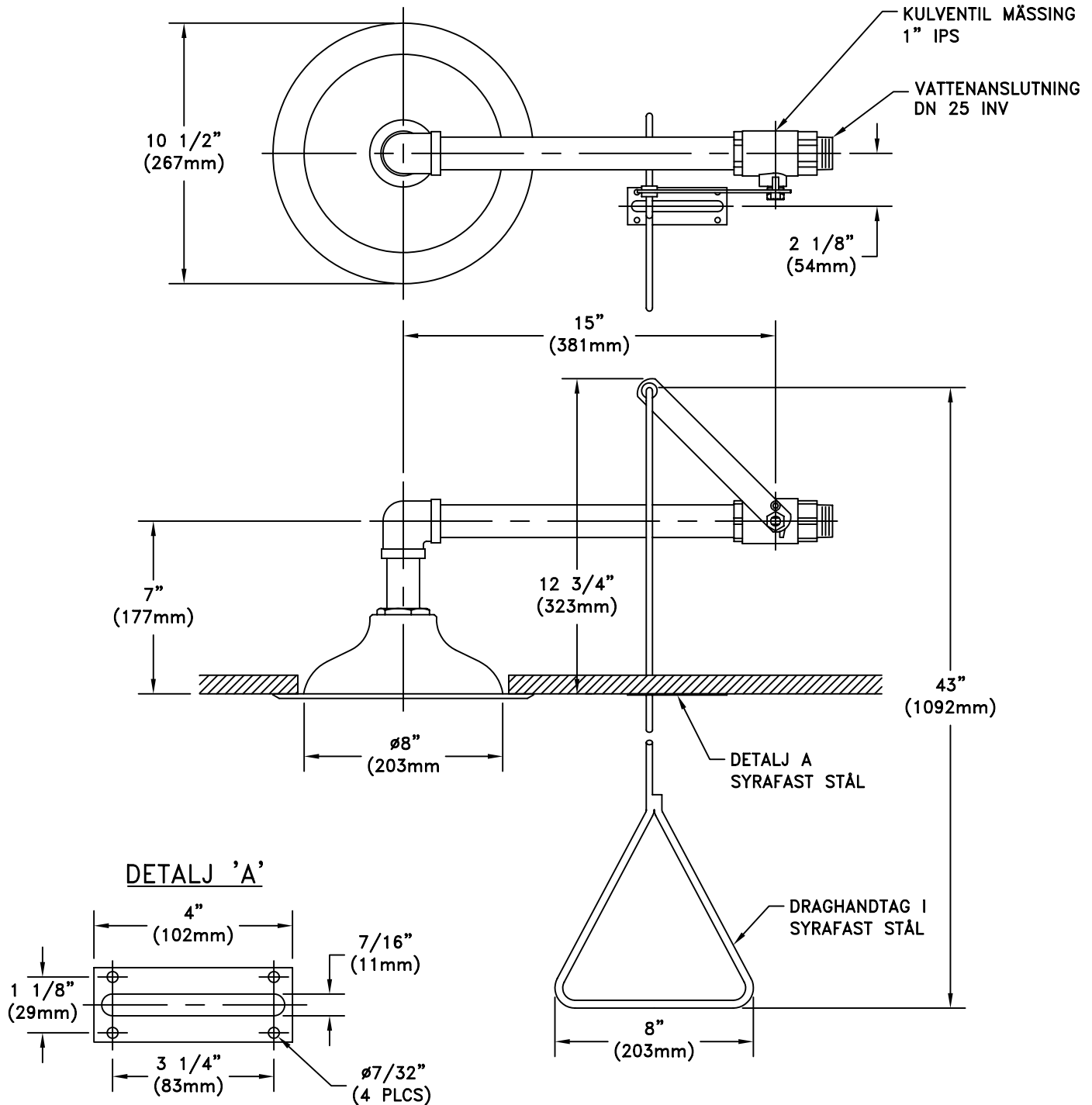


KN1629FC20  
 EMERGENCY SHOWER, RECESS MOUNTED



UNITS (EXCEPT THOSE WITH SELF-CLOSING VALVES) COMPLY WITH THE REQUIREMENTS OF ANSI Z358.1. TEST ALL EMERGENCY EQUIPMENT AT LEAST WEEKLY.