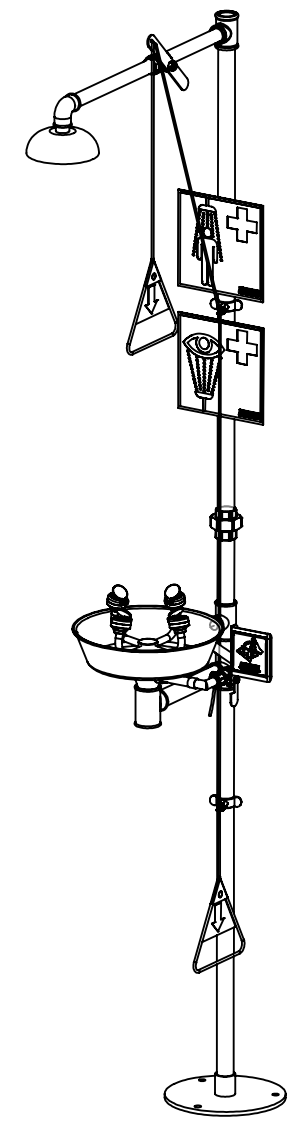
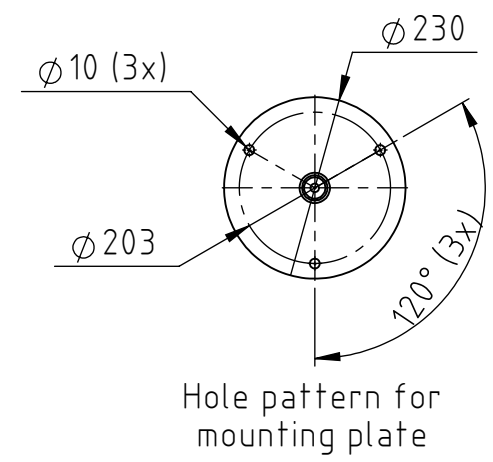
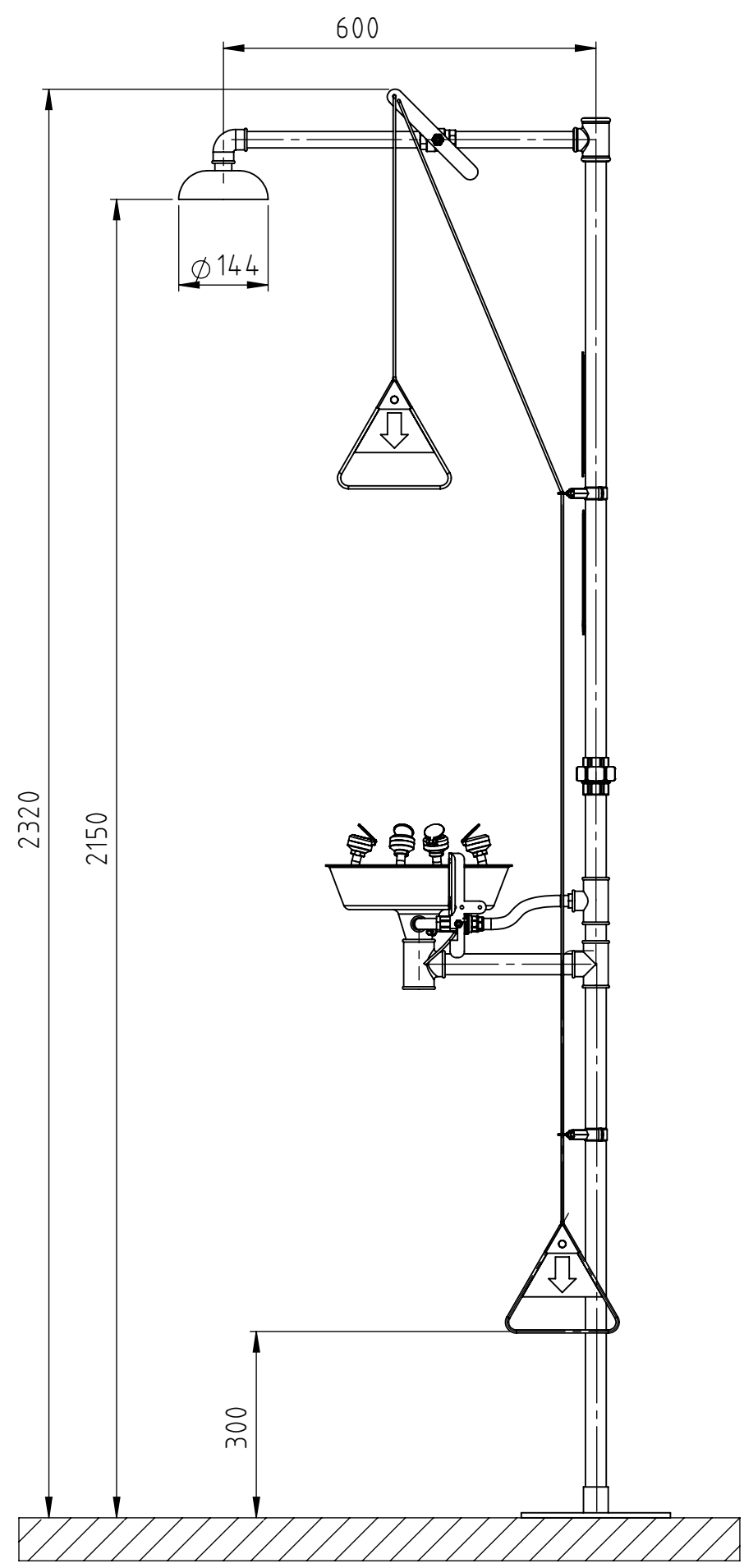


Detailed description

Ⓐ	XXXXXXXXXX
Ⓑ	XXXXXXXXXX
Ⓒ	XXXXXXXXXX
Ⓓ	XXXXXXXXXX
Ⓔ	XXXXXXXXXX



Spare parts list

1	KND 505	Spray head
2	KND 506	Filter for spray head
3	KND 511	Eye/face wash outlet
4	KND 515	Ball valve with push plate
5	KND 525	Valve emergency shower
6	KND 531	Shower head
7	KND 532	Pull handle
8	KND 533	Flag
9	KND 534	Handle
10	KND 540	Complete pull rod
11	KND 540	Emergency sign, eye wash
12	KND 547	Emergency sign, shower

This document must not be copied without our written permission, and the contents thereof must not be imparted to a third party nor be used for any unauthorized purpose. Contravention will be prosecuted.

Företag/Company Krusman +46 (0)21 14 92 00 www.krusman.se	Konstruerad Av/Designed by ZoRe	Godkänd Av/Approved by DK	Datum/Date 2014-02-11	Skala/Scale 1:10	
Benämning/Description Safety station RSK 821 3873 Installation drawing			Format/Size A3	Ritningsnummer/Drawing number	
Rev				Blad/Sheet 1 (1)	